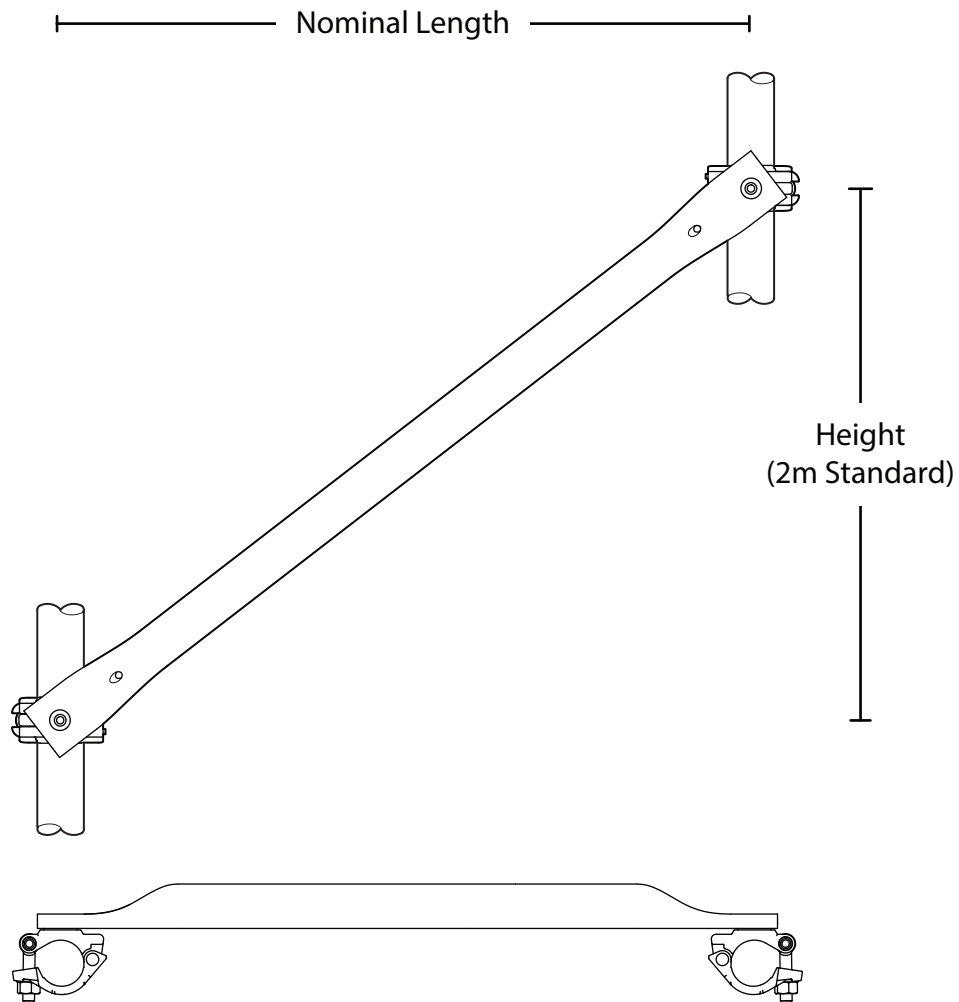




Swivel Clamp Braces

PRODUCT INFORMATION SHEET



Product Code	Description	Nominal Length		Weight	
		Inches	Meters	Lbs.	Kg.
CCB70	7' 0" Clamp Brace	84	2.13	12.0	5.4
CCB80	8' 0" Clamp Brace	96	2.44	12.9	5.9
CCB82	8' 2" Clamp Brace	98	2.49	14.2	6.4

R6